

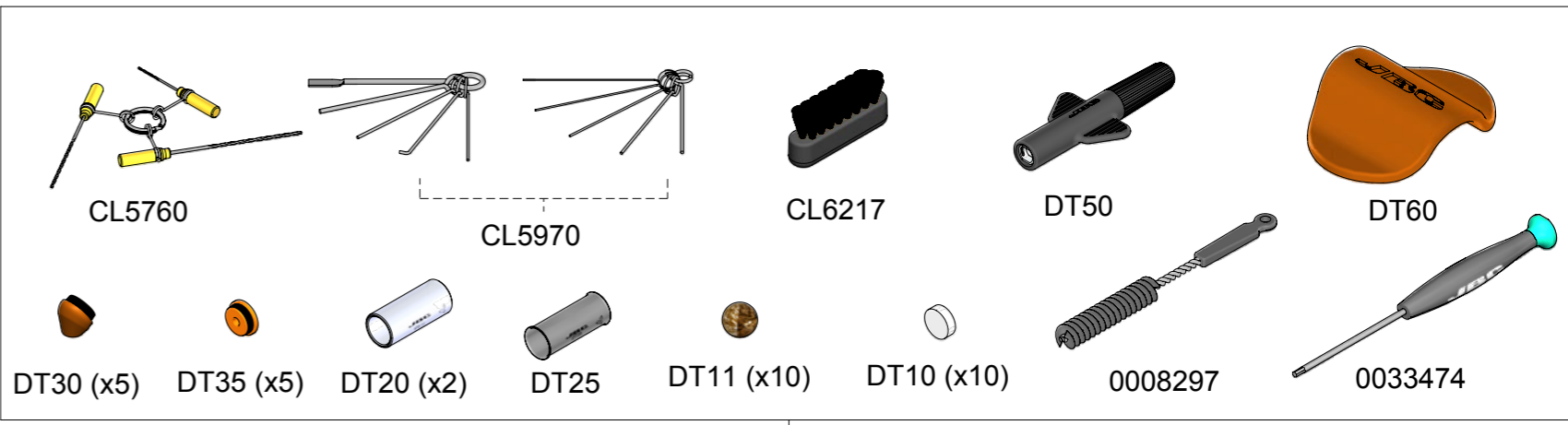
**DMPSD**

4 Tools Rework Station

- Ref.: **DMPSD-9QA** 100V  
**DMPSD-1QA** 120V  
**DMPSD-2QA** 230V

| SPARE PARTS              |         |
|--------------------------|---------|
| <b>DME CONTROL UNIT:</b> |         |
| -CIRCUIT                 | 0030802 |
| -ENCLOSURE               |         |
| · TOP                    | 0019028 |
| · BOTTOM                 | 0014567 |
| · FRONT+DISPLAY          | 0029287 |
| · BACK                   | 0031514 |
| <b>MSE-B:</b>            |         |
| - CIRCUIT                | 0033215 |
| - ENCLOSURE              |         |
| · TOP                    | 0032092 |
| · BOTTOM                 | 0032089 |
| · FRONT                  | 0032096 |
| · BACK                   | 0032091 |
| - PUMP                   | 0031985 |
| - AC ADAPTER             | 0028084 |

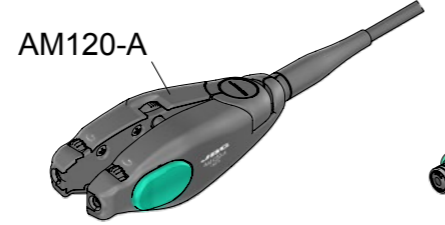
Ref.: **DMPSD-9QA** 100V FUSE T-8A  
**DMPSD-1QA** 120V FUSE T-6A  
**DMPSD-2QA** 230V FUSE T-3,15A



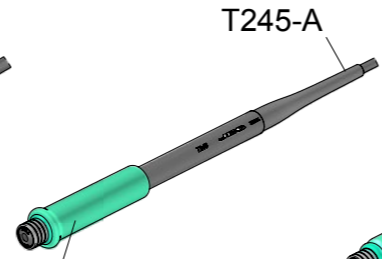
DME CONTROL UNIT



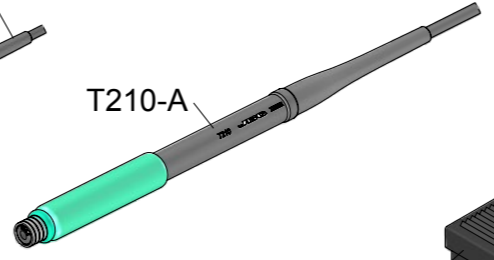
MSE-B



AM120-A



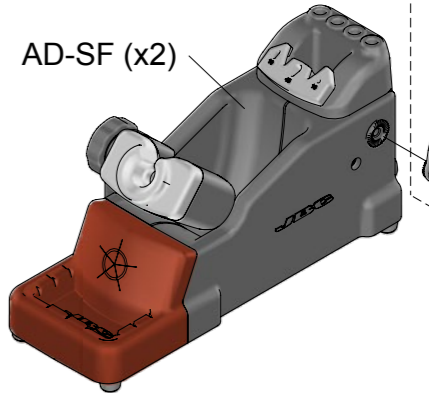
T245-A



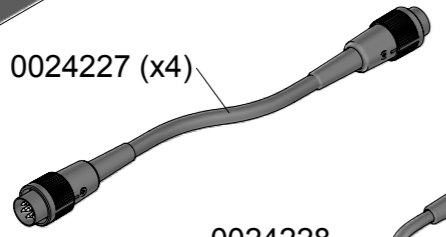
T210-A



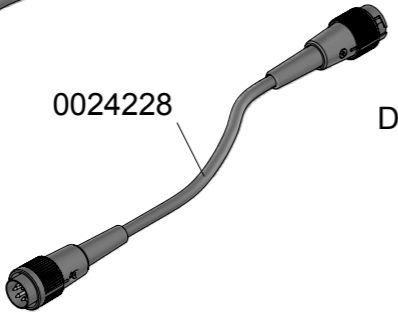
DT100



AD-SF (x2)



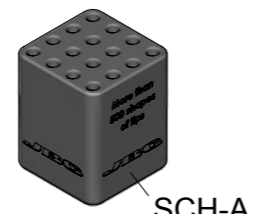
0024227 (x4)



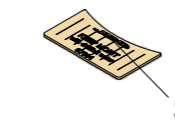
0024228



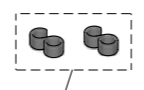
DT530-A



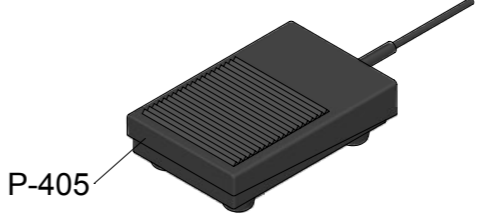
SCH-A



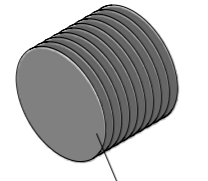
S7034 (x4)



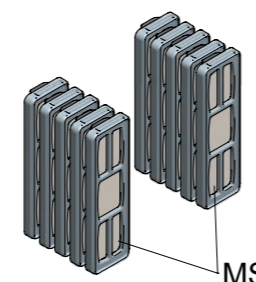
0011356



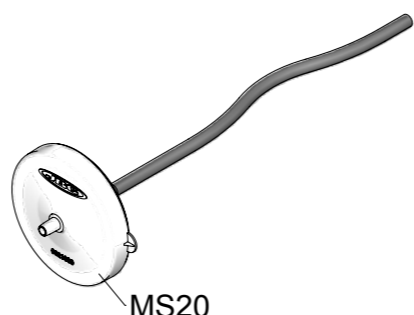
P-405



MS30



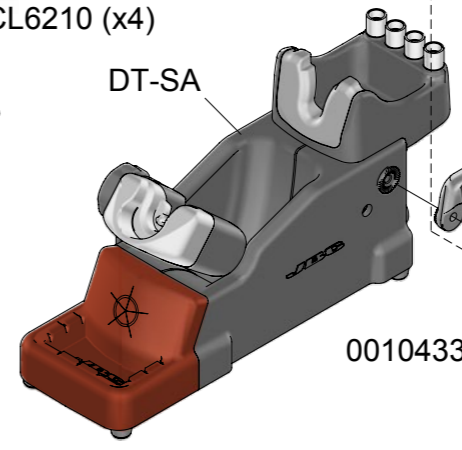
MS10



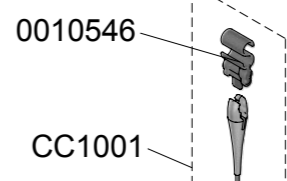
MS20



CL6210 (x4)



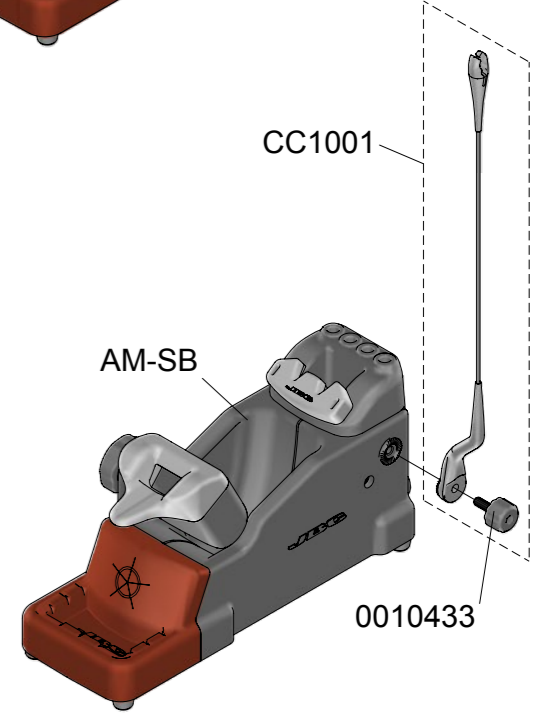
DT-SA



0010546

CC1001

0010433



AM-SB

CC1001

0010433

0010433

CC1001